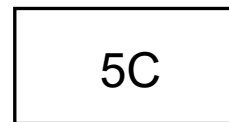
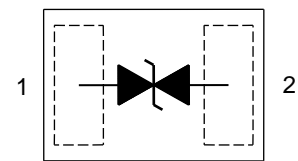


Transient Voltage Suppressors for ESD Protection

Features

- ◆ 80Watts peak pulse power ($t_p = 8/20\mu s$)
- ◆ Transient protection for high speed data lines to IEC 61000-4-2 (ESD) $\pm 30kV$ (air), $\pm 30kV$ (contact) IEC 61000-4-4 (EFT) 40A (5/50ns)
- ◆ Working voltages : 5V
- ◆ Protects One Power or I/O Port
- ◆ Low operating and clamping voltages
- ◆ Solid-state silicon avalanche technology

DFN1006



Marking (Top View)

Applications

- ◆ Notebooks, Desktops, Servers and Video Graphics Cards
- ◆ USB Power & Data Line Protection
- ◆ Monitors and Flat Panel Displays
- ◆ I²C Bus Protection
- ◆ Portable Instrumentation
- ◆ Set Top Box

Maximum Rating @ Ta=25°C unless otherwise specified

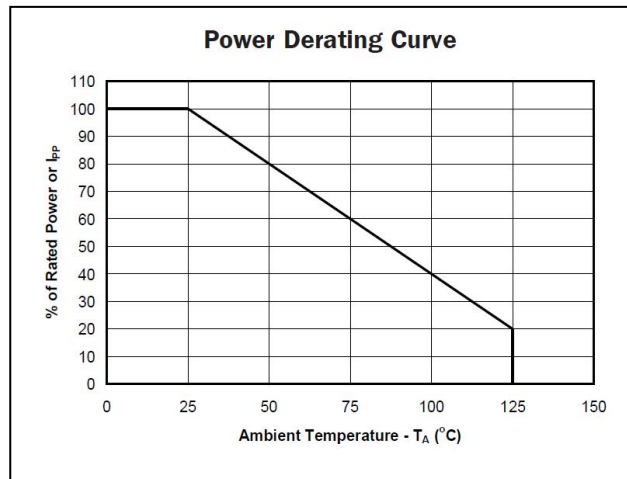
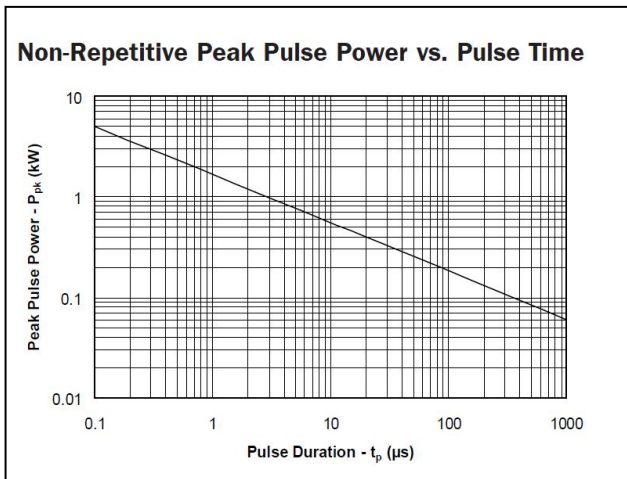
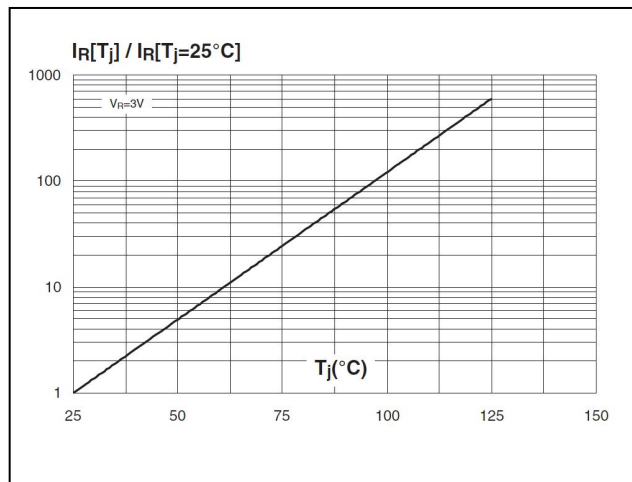
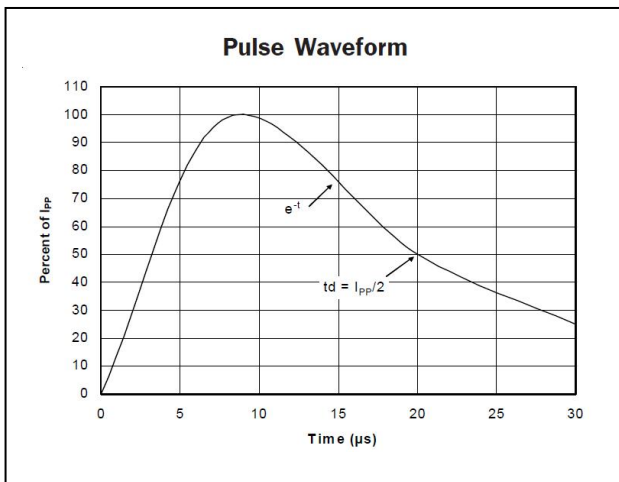
Symbol	Parameter	Ratings	Units
P _{PK}	Peak Pulse Power ($t_p = 8/20\mu s$)	80	Watts
T _L	Lead Soldering Temperature	260(10sec.)	°C
T _J	Operating Temperature	-55 to +125	°C
T _{STG}	Storage Temperature	-55 to +150	°C

Transient Voltage Suppressors for ESD Protection

Electrical Characteristics@ Ta=25°C unless otherwise

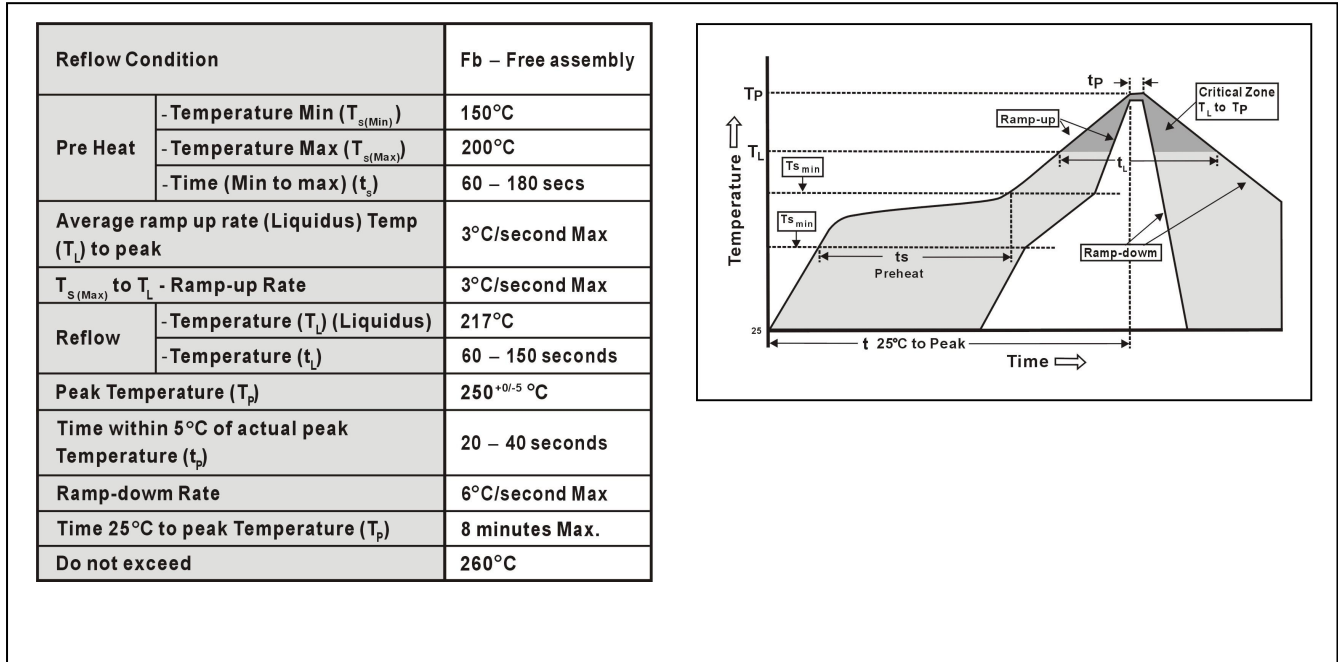
Parameter	VRWM @IR		VBR@ImA	VC@3	VC@IPP		CJ
	V	μA	V	V	V	A	pF
		MAX	MIN	TYP	MAX		TYP
BTR8S23A10	5	1	5.6	13	16	5	15

Typical Characteristics@ Ta=25°C unless otherwise specified



Transient Voltage Suppressors for ESD Protection

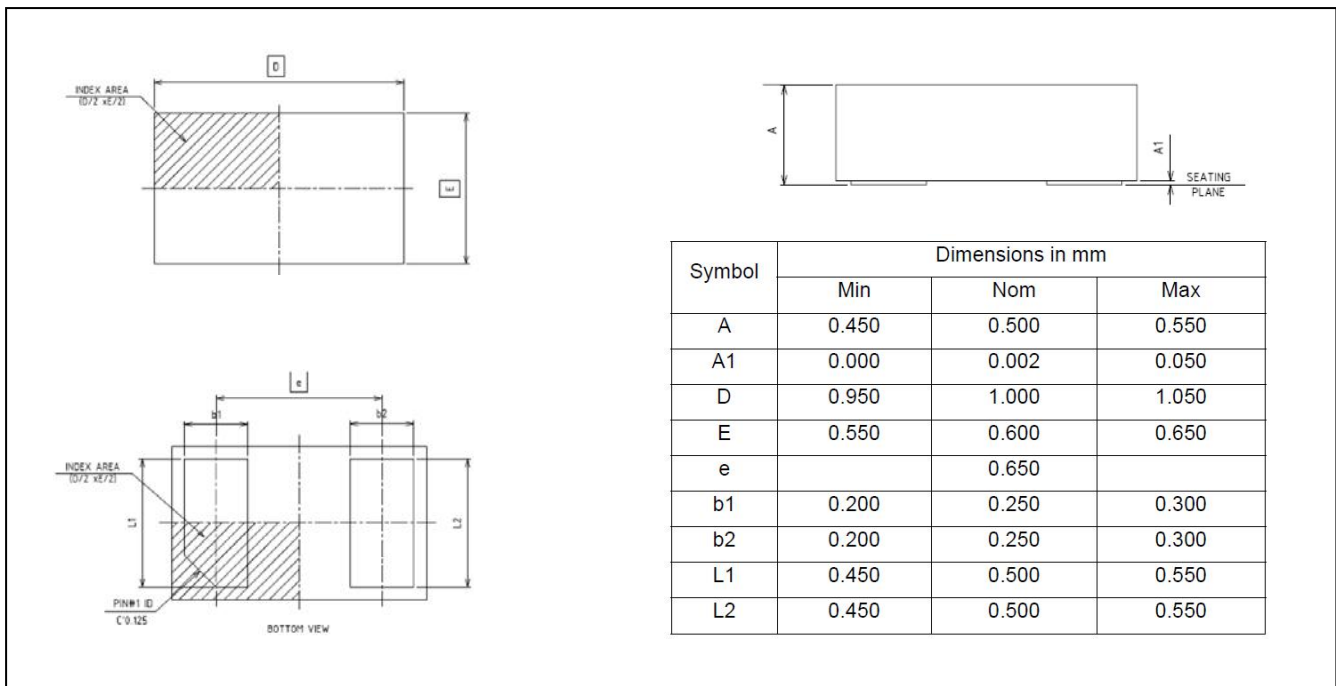
Soldering Parameters



Package Outline

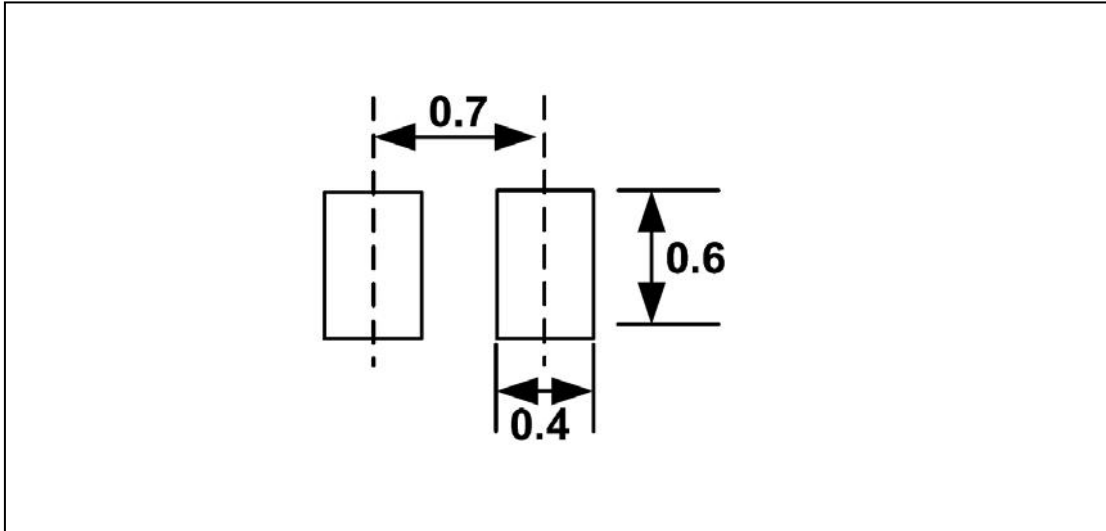
Plastic surface mounted package

DFN1006-2L



Transient Voltage Suppressors for ESD Protection

Soldering Footprint



Package And Marking Information

Device	Package	Shipping	Reel Size
BTR8S23A10	DFN1006-2L	10000/Reel	7 inch